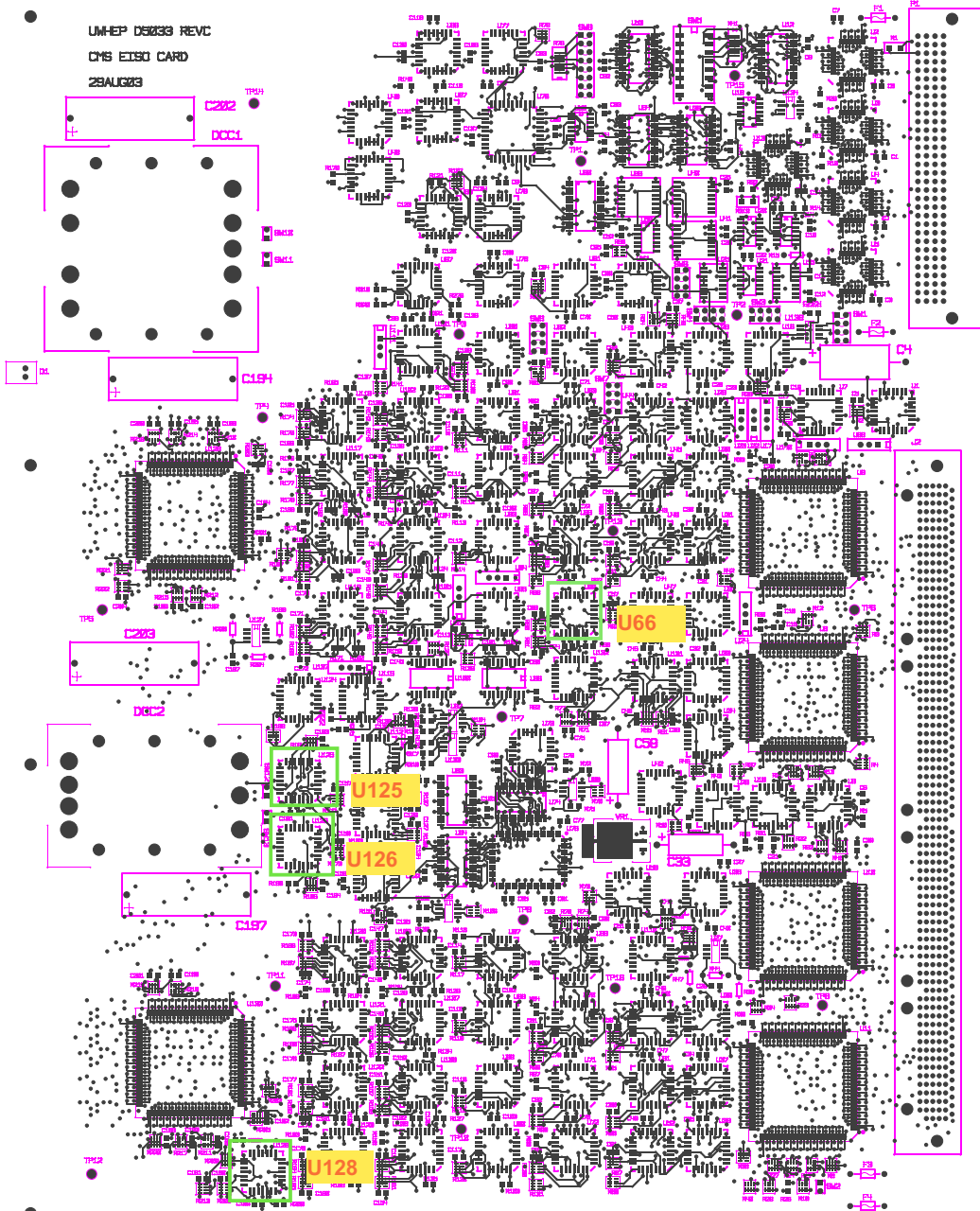


UM-HEP D5033 REV.C - CMS EISO CARD - TOP/BAYER/N TOP LAYER

UM-HEP D5033 REV.C
CMS EISO CARD
29AUG83



THIS WRITING IS COPPER