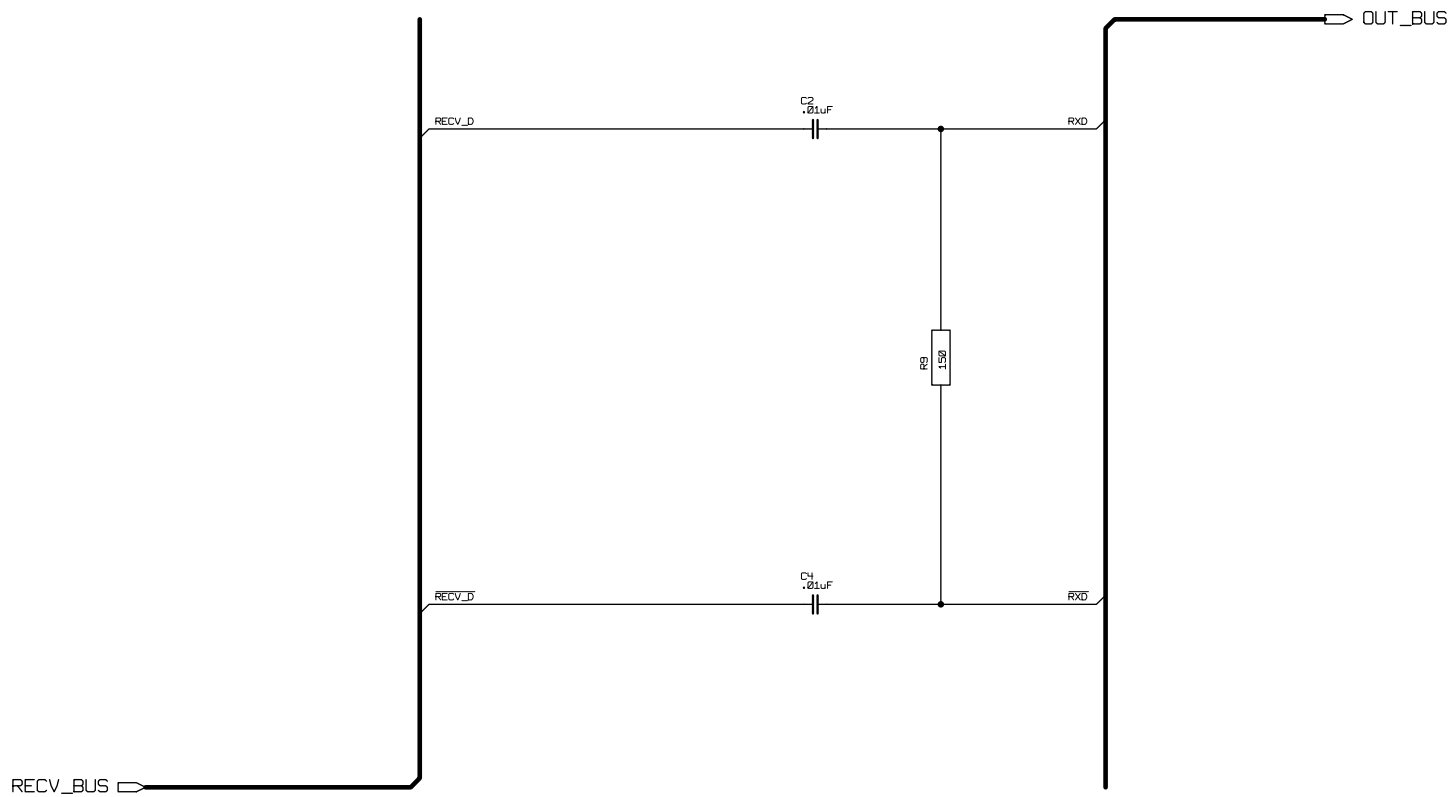
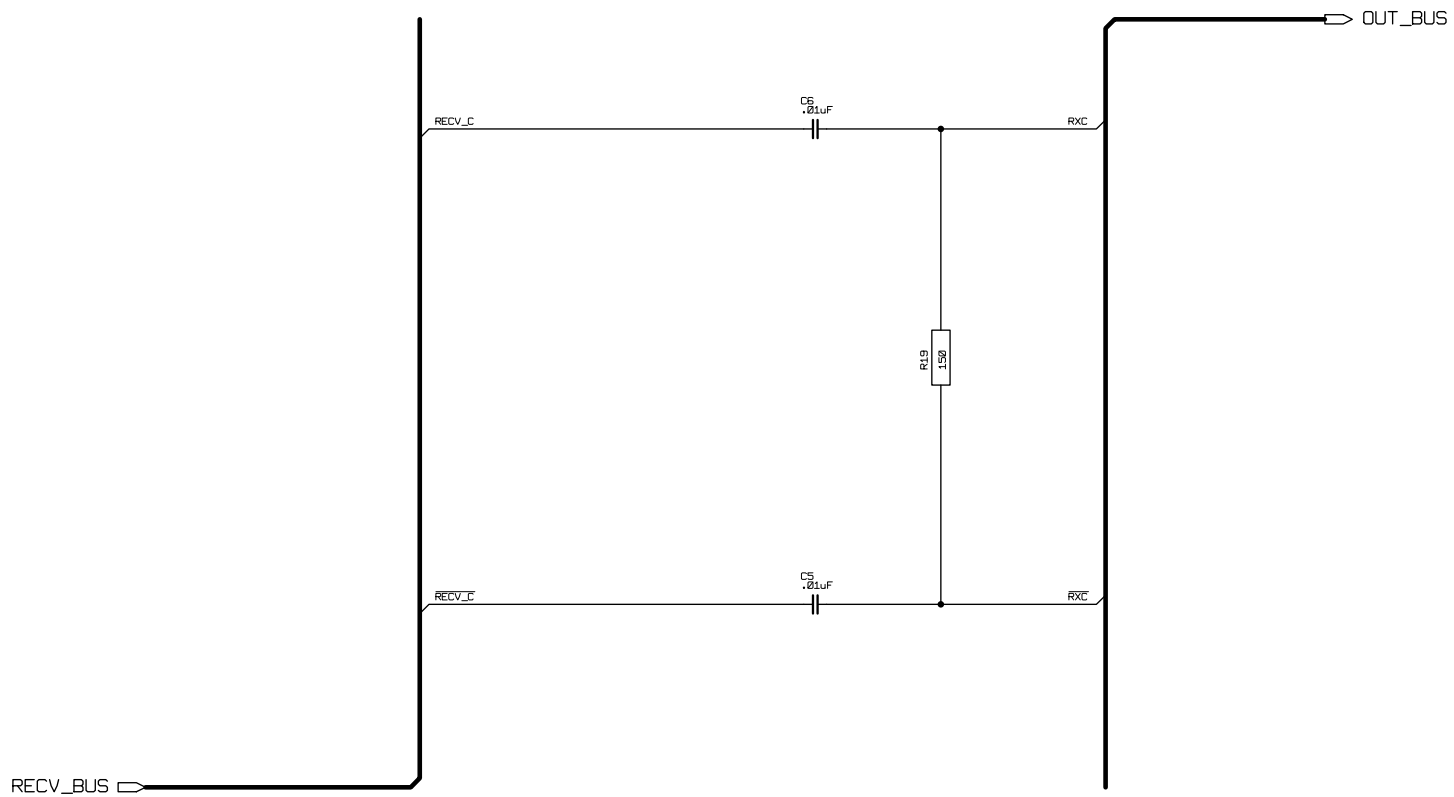


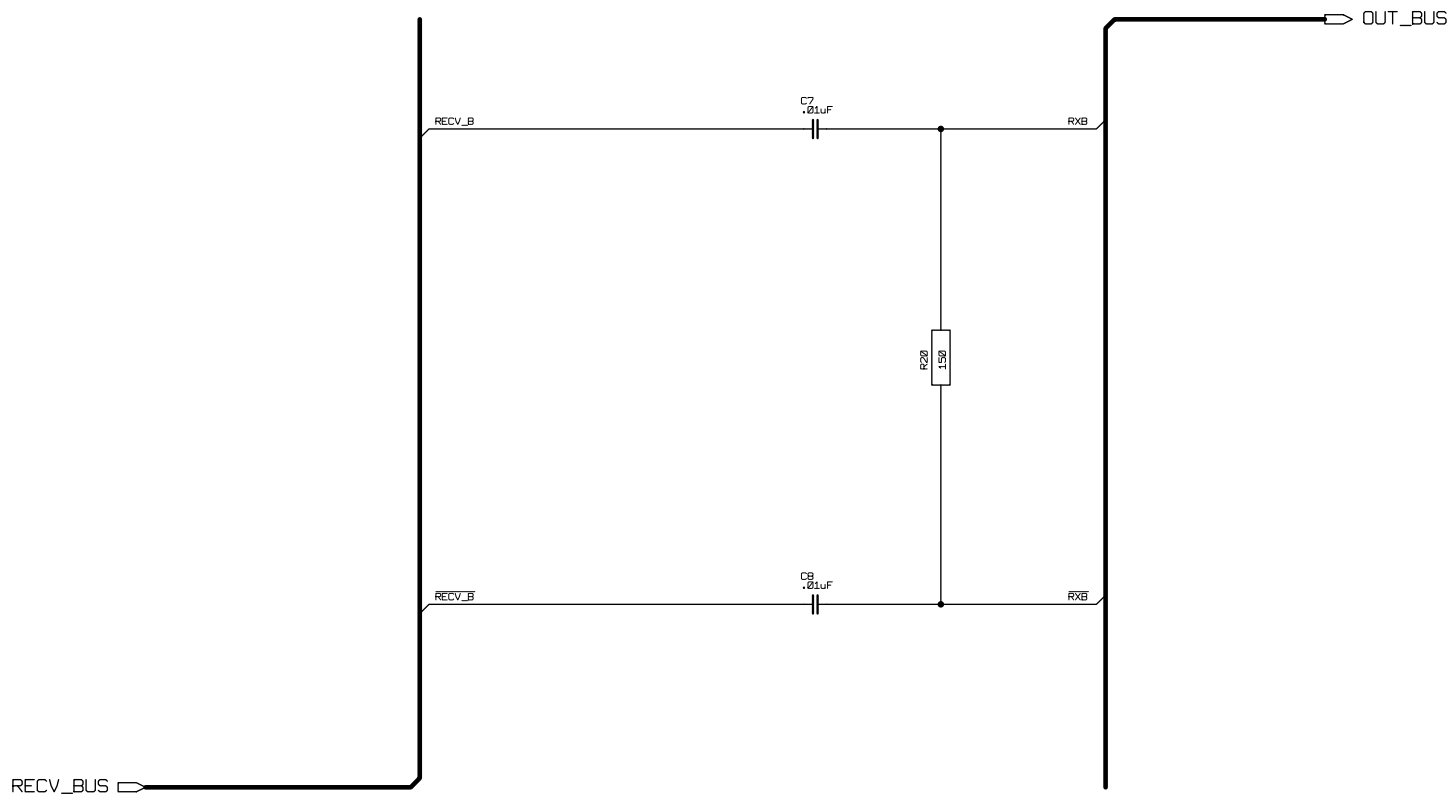
Changes	By	Date	Drawn	Project
			Date 22/4/98	CMS CAL TRIGGER PROCESSOR
			CHK'D	RCVR MEZZANINE CARD
			Scale	BLOCK: RECVC
				High Energy Physics
REVA		5/1/01	D0681	University of Wisconsin



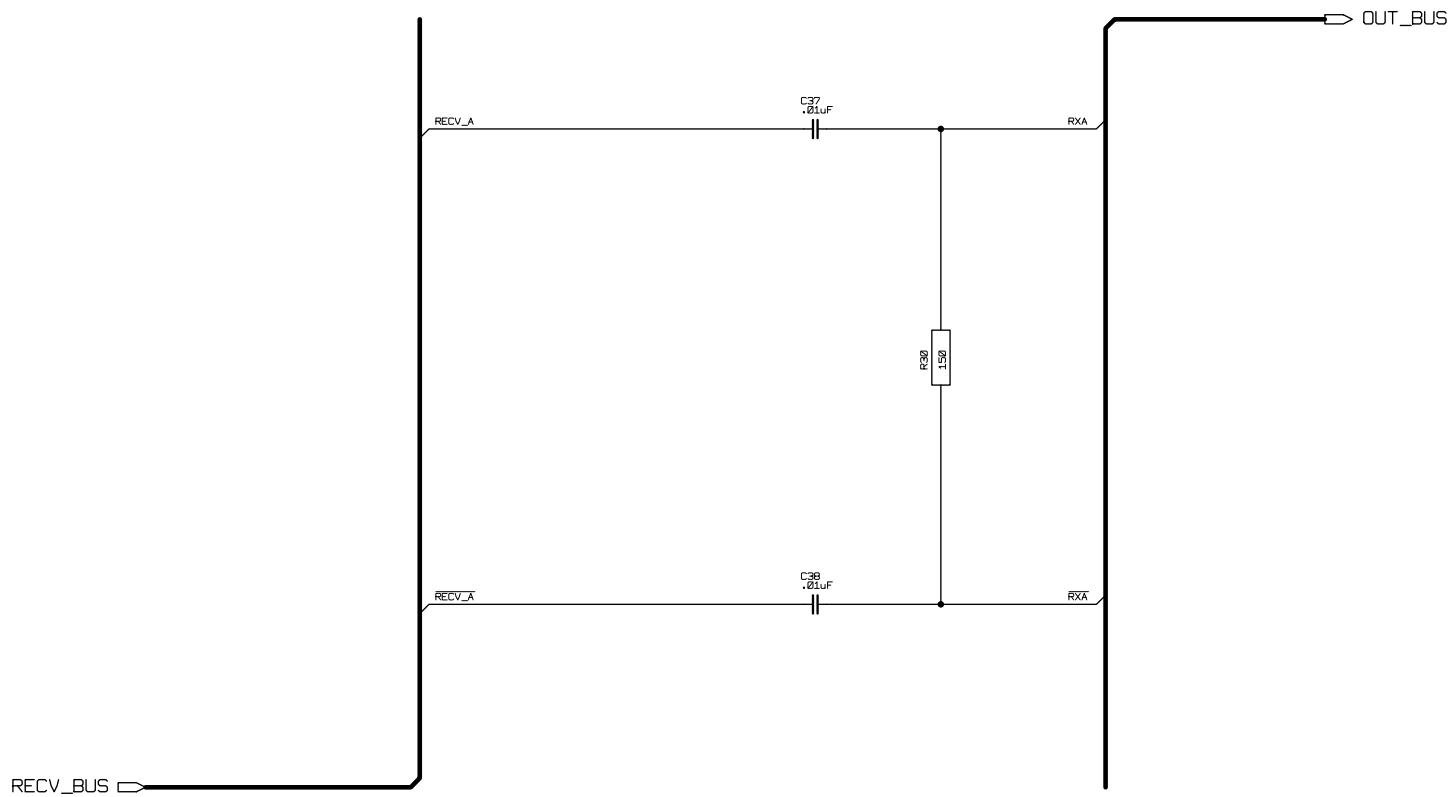
Changes	By	Date	Drawn	Project
			Date 5/1/01	CMS CAL TRIGGER PROCESSOR
			CHK'D	RCVR MEZZANINE CARD
			Scale	BLOCK: Chan1_In_D
				High Energy Physics
			C0737	University of Wisconsin



Changes	By	Date	Drawn	Project
			Date 5/1/01	CMS CAL TRIGGER PROCESSOR
			CHK'D	RCVR MEZZANINE CARD
			Scale	BLOCK: Chan1_In_C
				High Energy Physics
			C0736	University of Wisconsin



Changes	By	Date	Drawn	Project
			Date 5/1/01	CMS CAL TRIGGER PROCESSOR
			CHK'D	RCVR MEZZANINE CARD
			Scale	BLOCK: Chan1_In_B
				High Energy Physics
			C0735	University of Wisconsin



Changes	By	Date	Drawn	Project
			Date 5/1/01	CMS CAL TRIGGER PROCESSOR
			CHK'D	RCVR MEZZANINE CARD
			Scale	BLOCK: Chan1_In_A
				High Energy Physics
			C0713	University of Wisconsin

