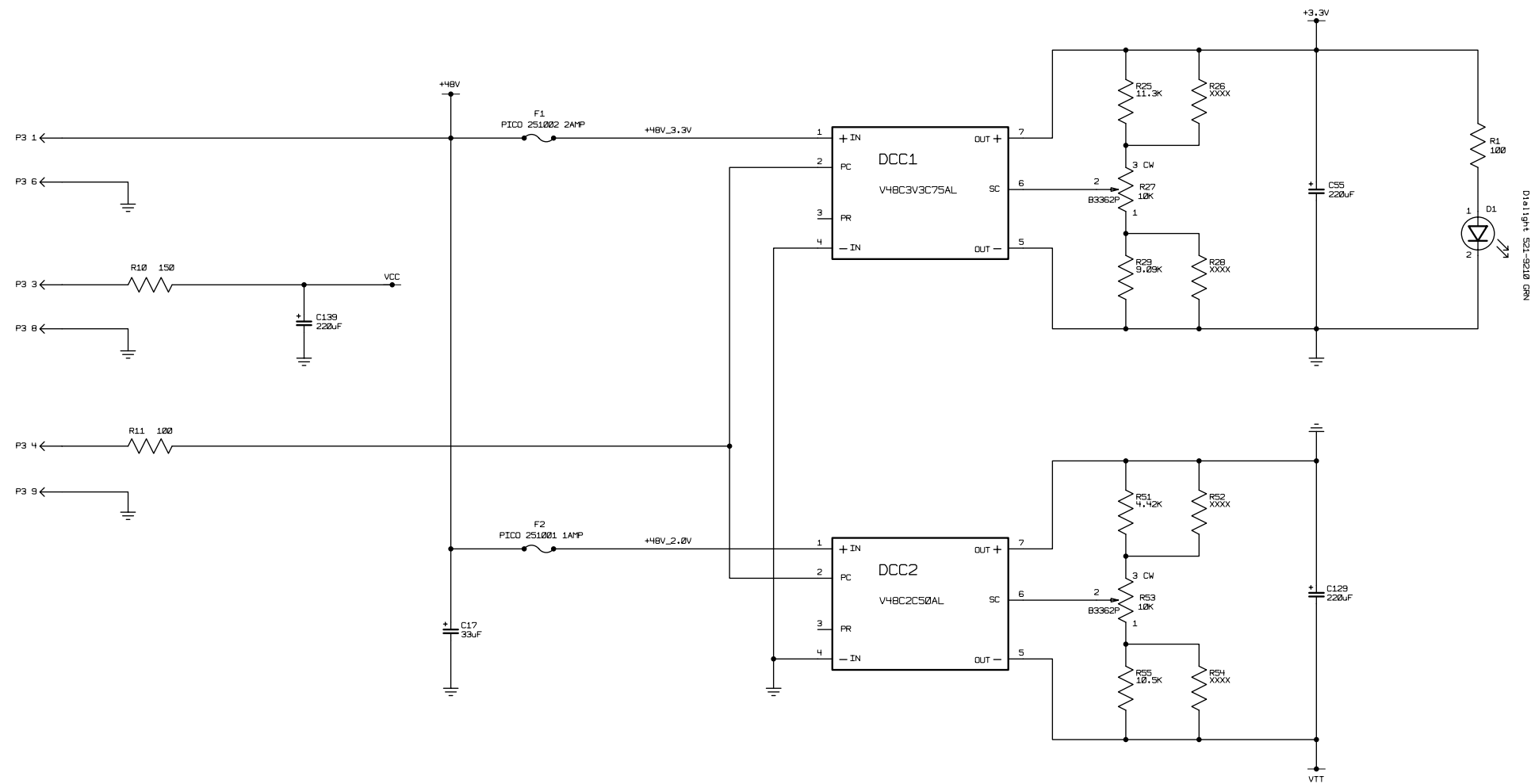
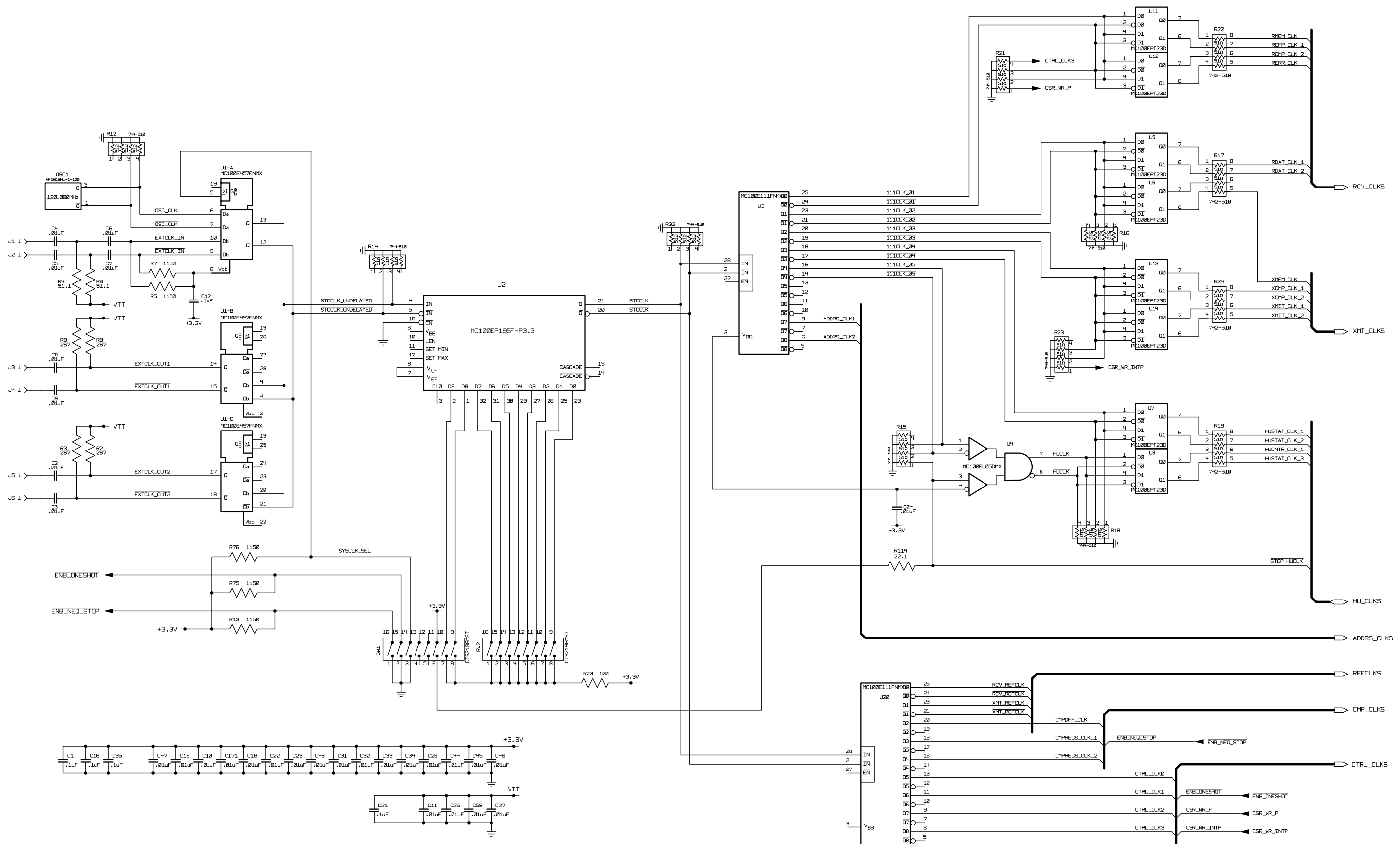


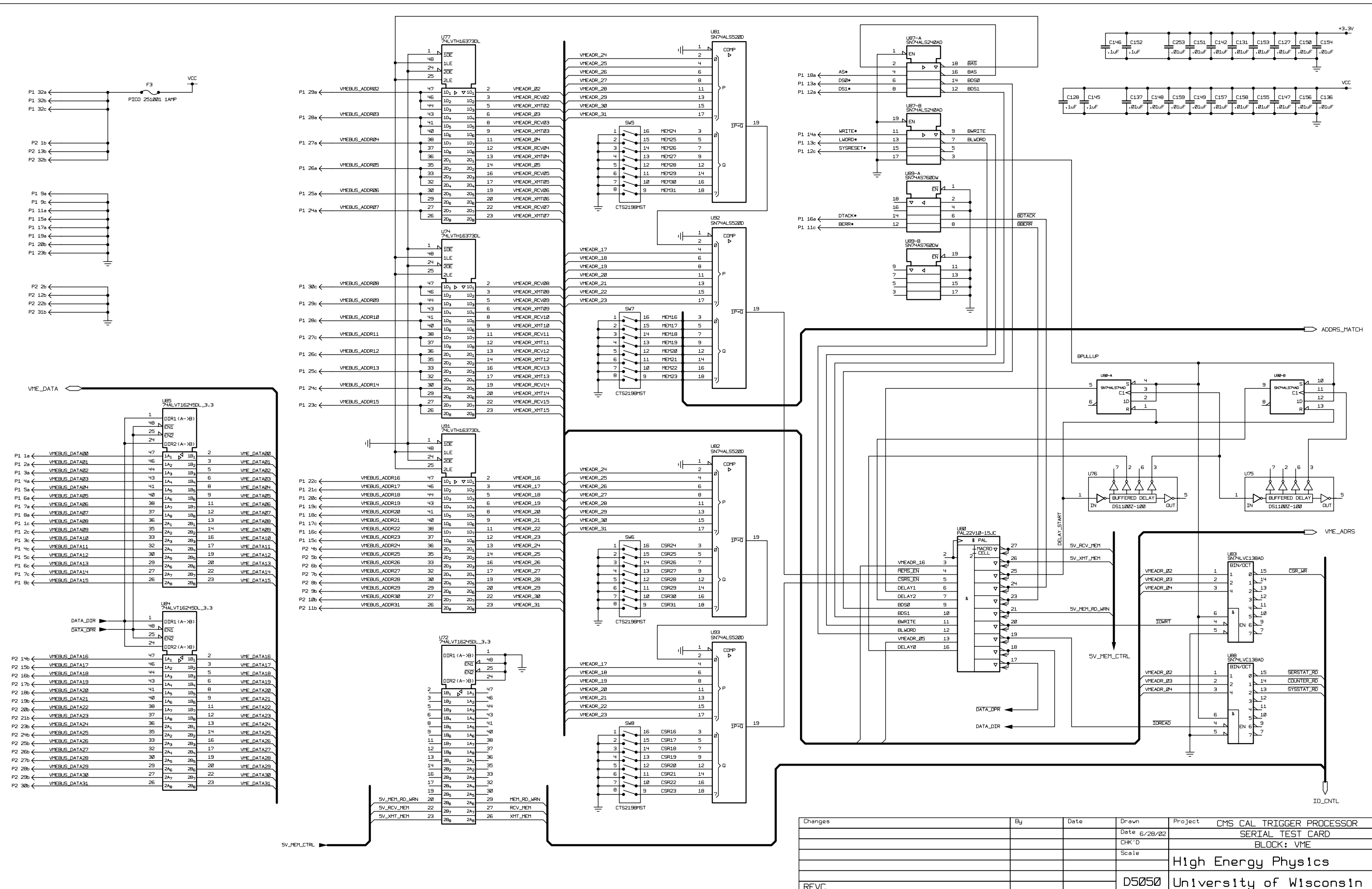
Changes	By	Date	Drawn	Project
			Date 6/28/02	CMS CAL TRIGGER PROCESSOR
			CHK'D	SERIAL TEST CARD
			Scale	BLOCK: SERIAL TEST CARD
				High Energy Physics
REVC			D5050	University of Wisconsin



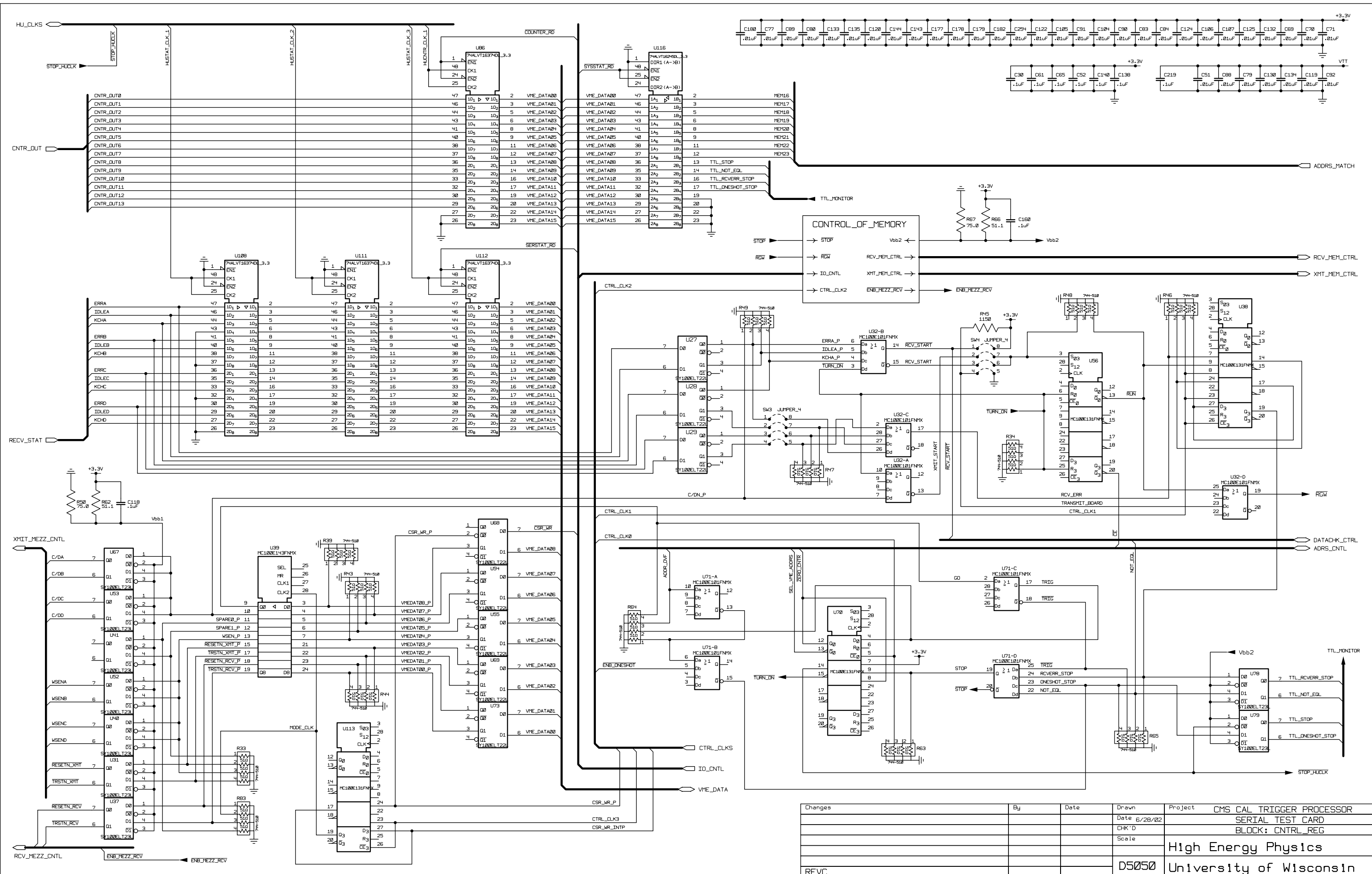
Changes	By	Date	Drawn	Project
			Date 6/28/02	CMS CAL TRIGGER PROCESSOR
			CHK'D	SERIAL TEST CARD
			Scale	BLOCK: DC_TO_DC_CONVERTERS
				High Energy Physics
REVC			D5050	University of Wisconsin



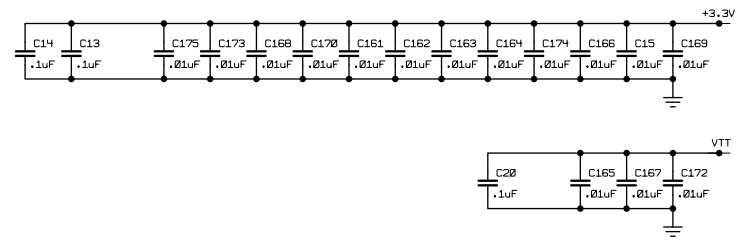
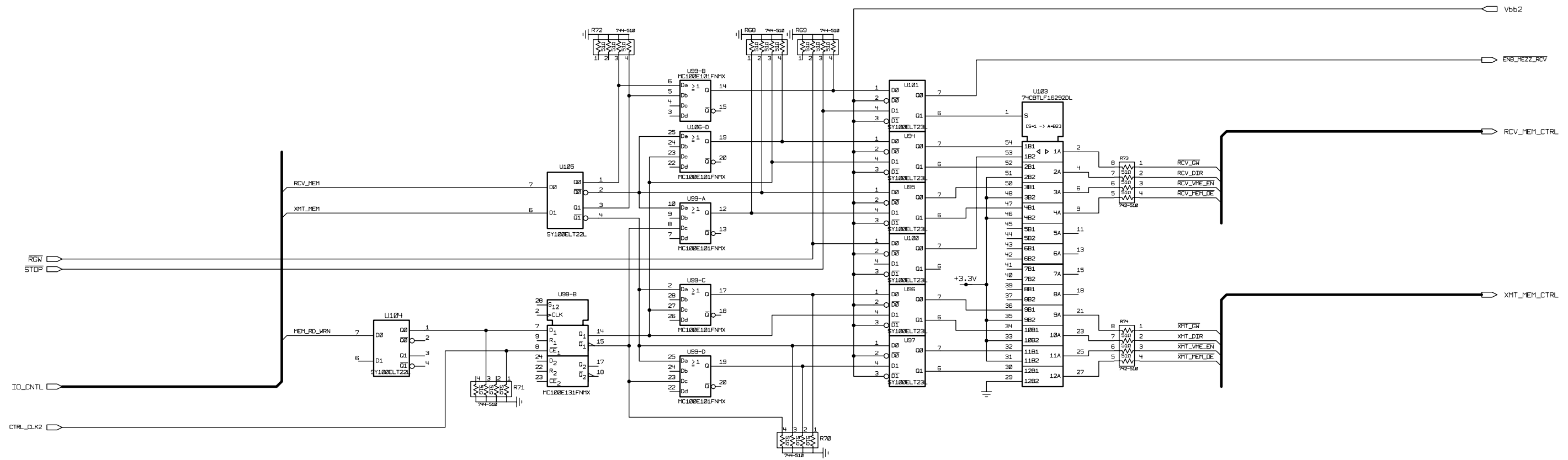
Changes	By	Date	Drawn	Project
			Date 6/28/02	CMS CAL TRIGGER PROCESSOR
			CHK'D	SERIAL TEST CARD
			Scale	BLOCK: CLK_GEN
				High Energy Physics
REVC			D5050	University of Wisconsin



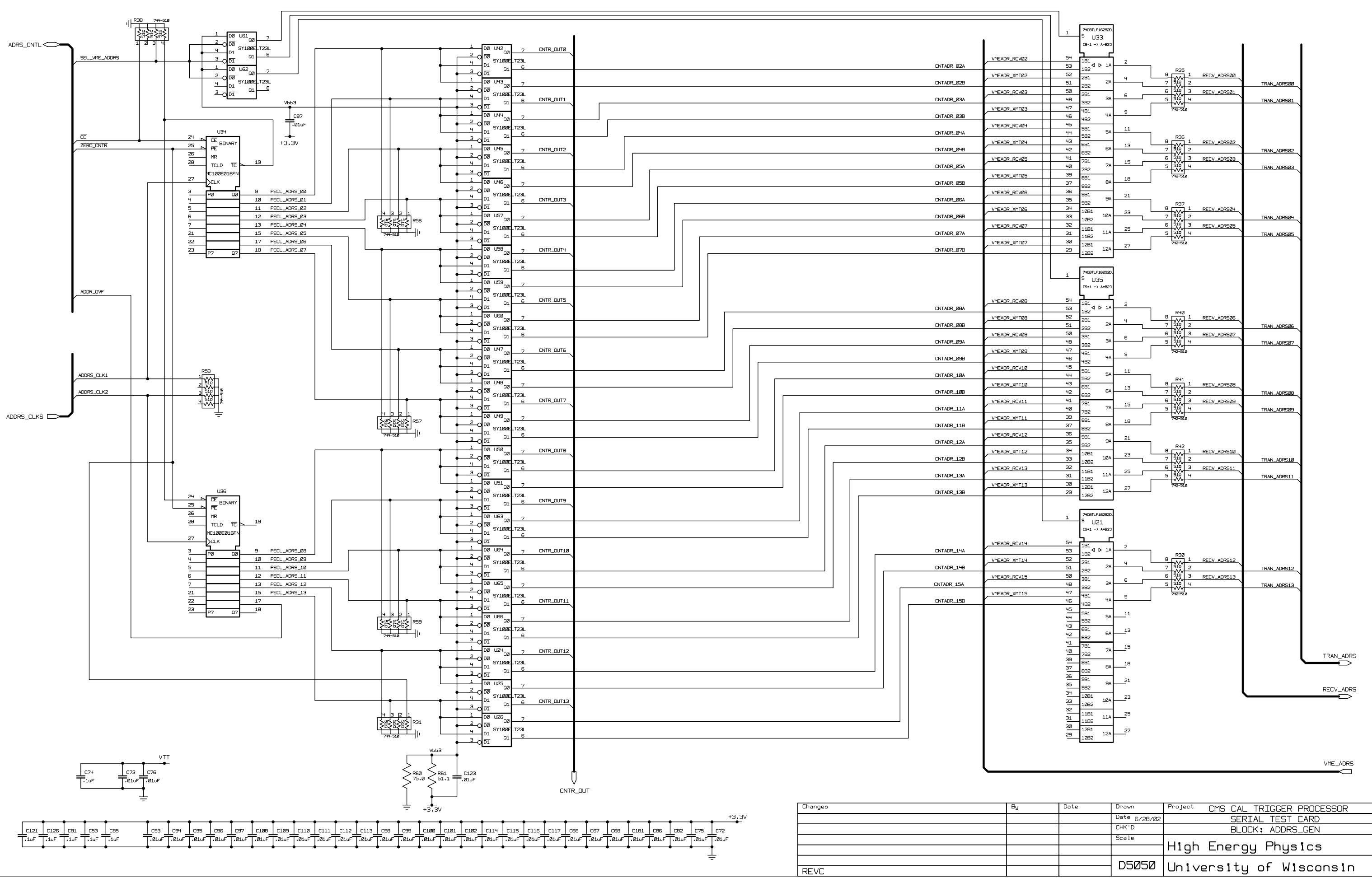
Changes	By	Date	Drawn	Project
			Date 6/28/02	CMS CAL TRIGGER PROCESSOR
			CHK'D	SERIAL TEST CARD
			Scale	BLOCK: VME
				High Energy Physics
REVC			D5050	University of Wisconsin



Changes	By	Date	Drawn	Project
			6/28/02	CMS CAL TRIGGER PROCESSOR
				SERIAL TEST CARD
				BLOCK: CNTRL_REG
				High Energy Physics
				University of Wisconsin
REVC			D5050	



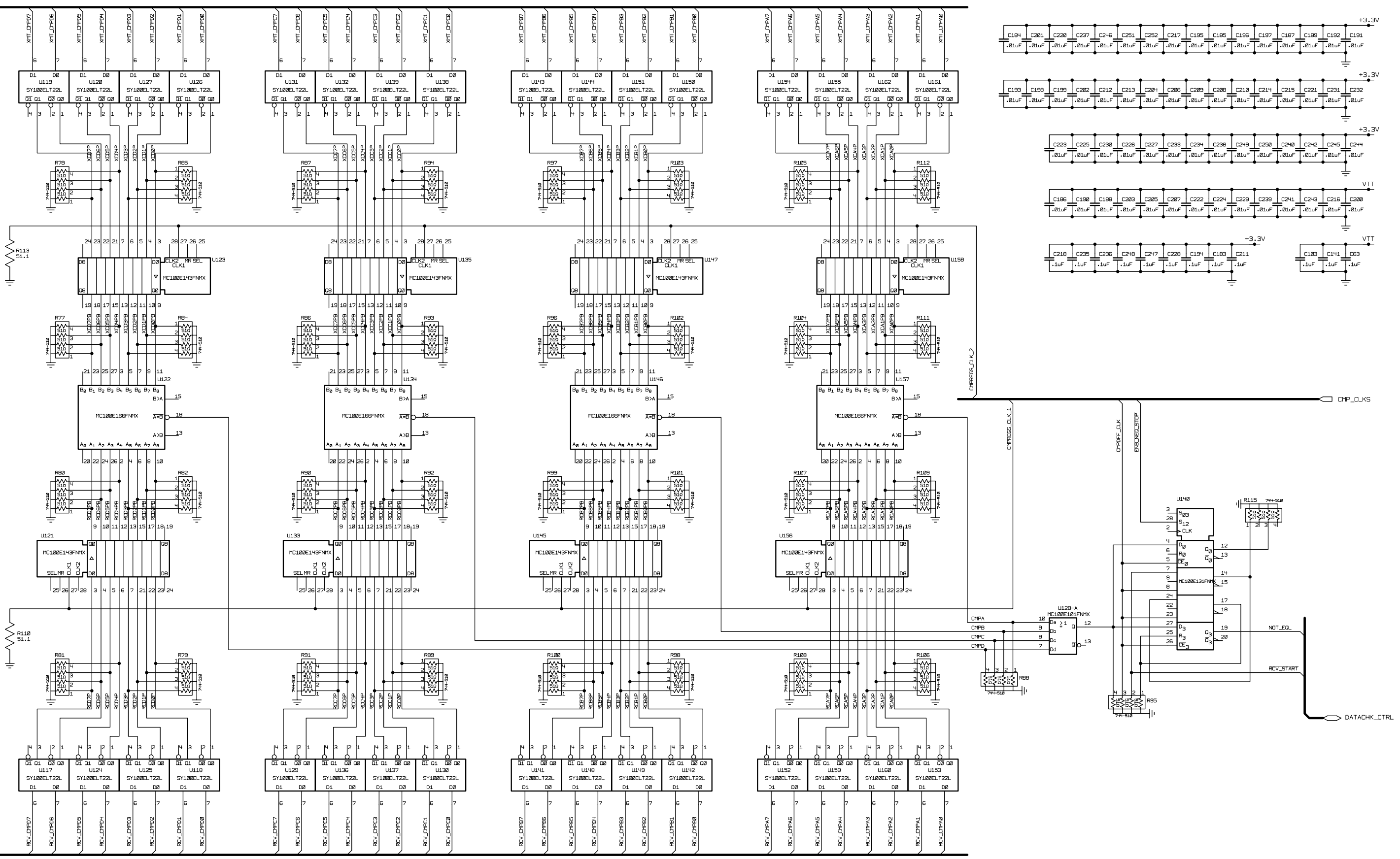
Changes	By	Date	Drawn	Project
			Date 6/28/02	CMS CAL TRIGGER PROCESSOR
			CHK'D	SERIAL TEST CARD
			Scale	BLOCK: CONTROL_OF_MEMORY
				High Energy Physics
REVC			D5050	University of Wisconsin



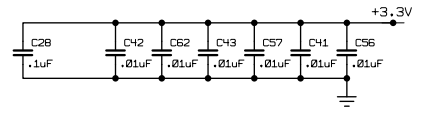
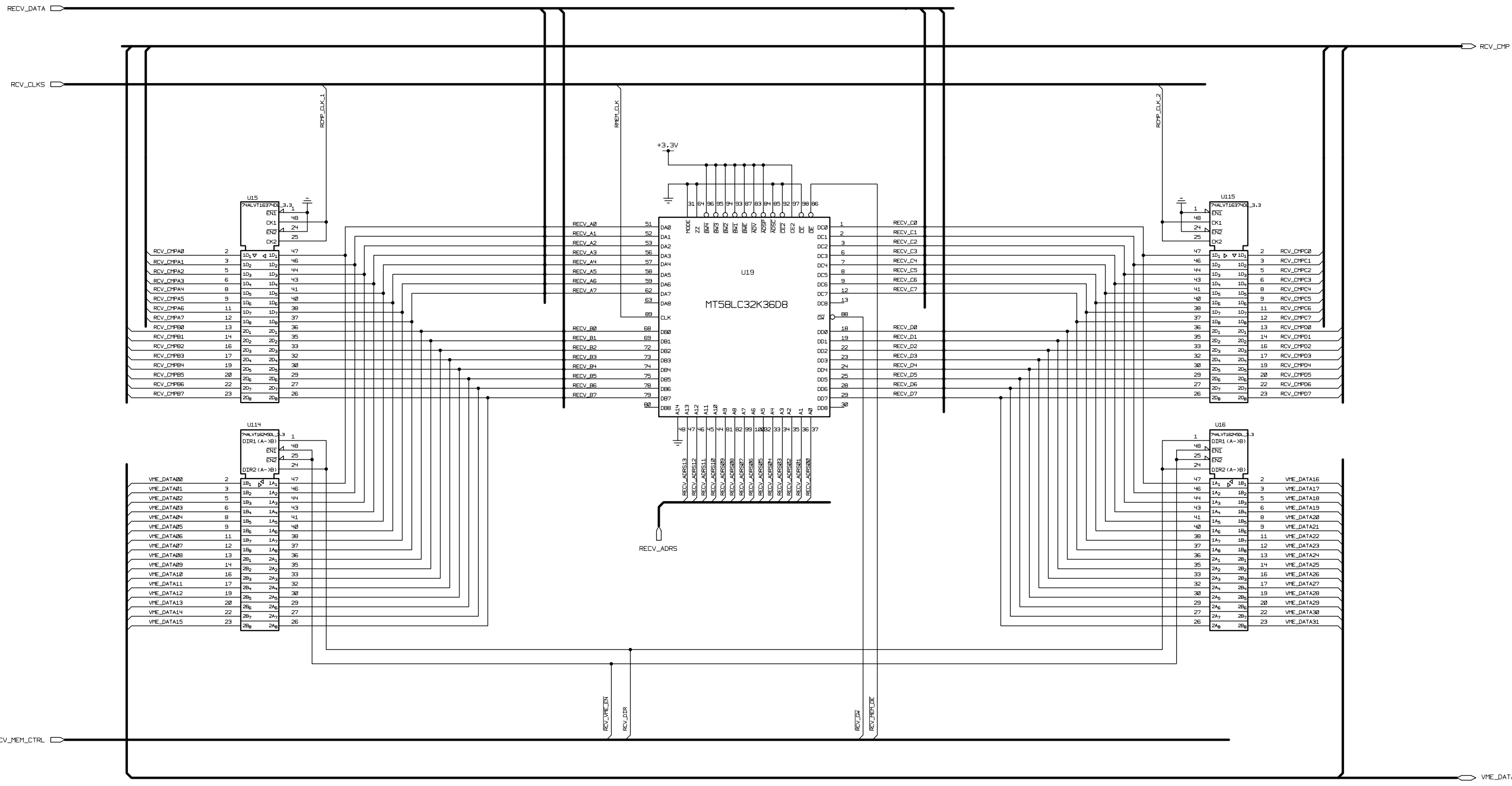
Changes	By	Date	Drawn	Project
			6/28/02	CMS CAL TRIGGER PROCESSOR
			CHK'D	SERIAL TEST CARD
				BLOCK: ADDR_GEN
			Scale	High Energy Physics
REVC			D5050	University of Wisconsin

XMT_CMP

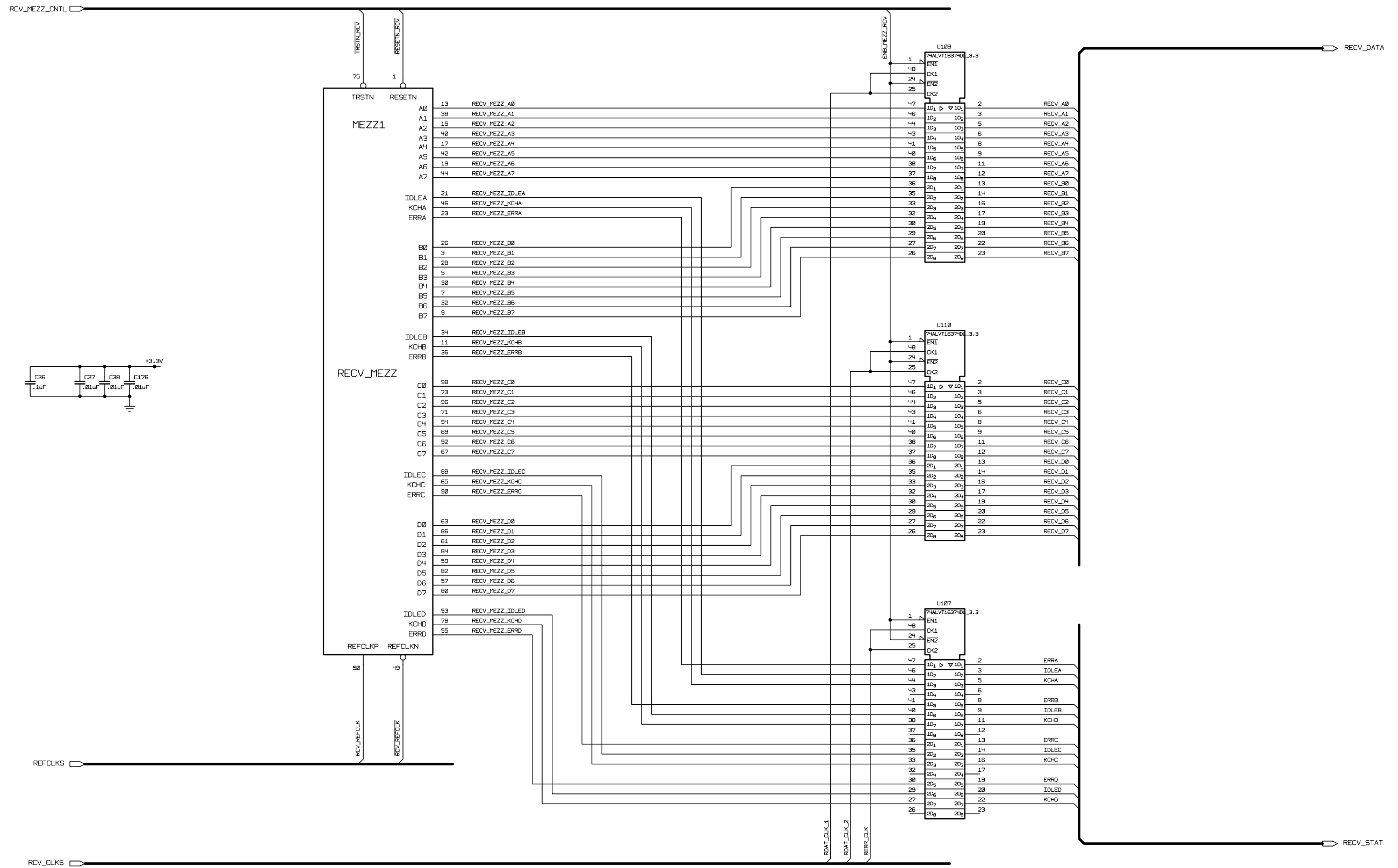
RCV_CMP



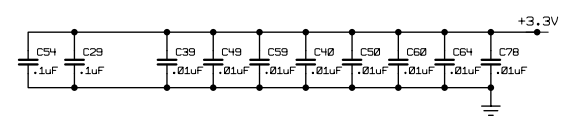
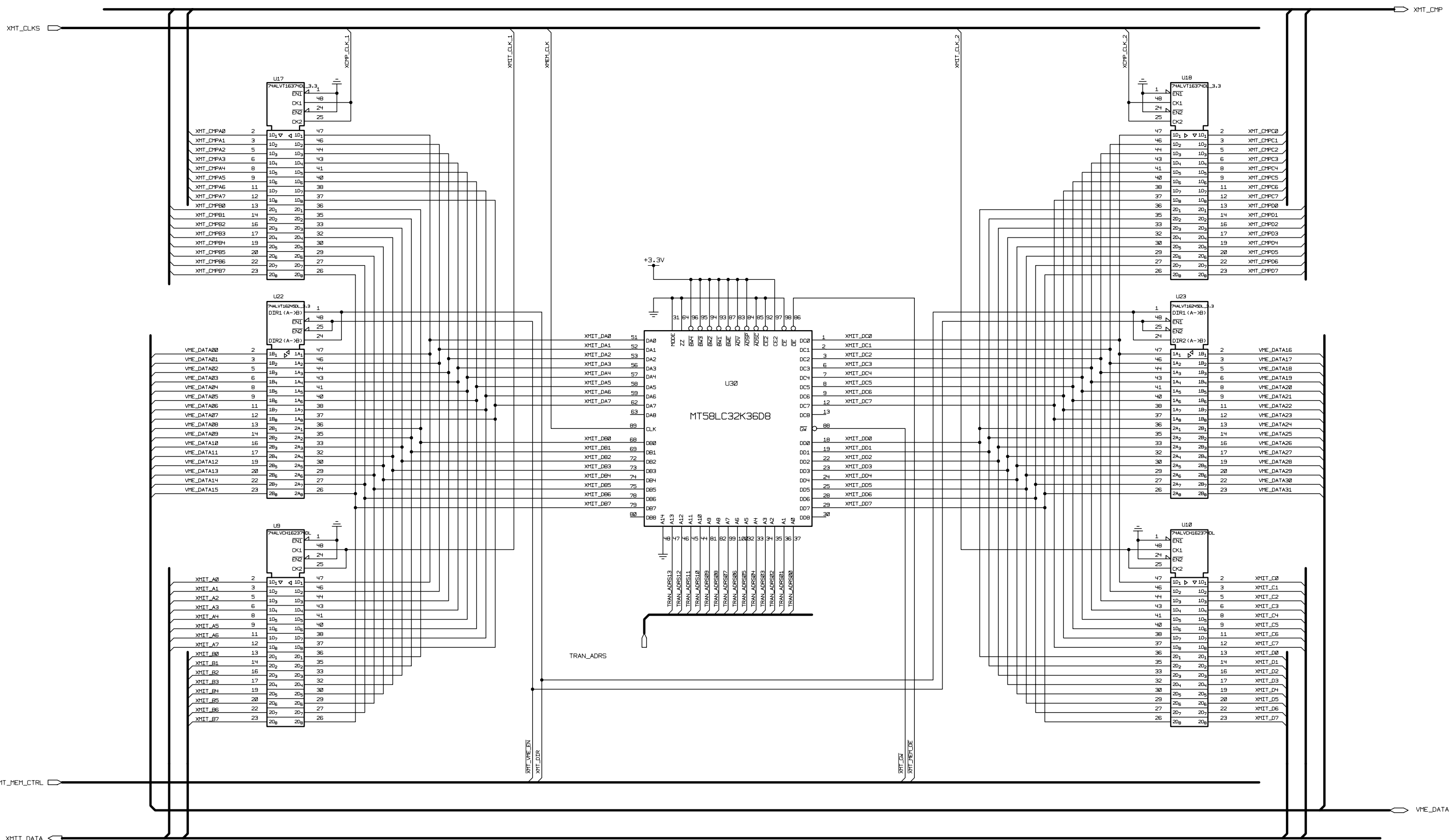
Changes	By	Date	Drawn	Project
			Date 6/28/02	CMS CAL TRIGGER PROCESSOR
			CHK'D	SERIAL TEST CARD
			Scale	BLOCK: DATA_CHK
				High Energy Physics
REVC			D5050	University of Wisconsin



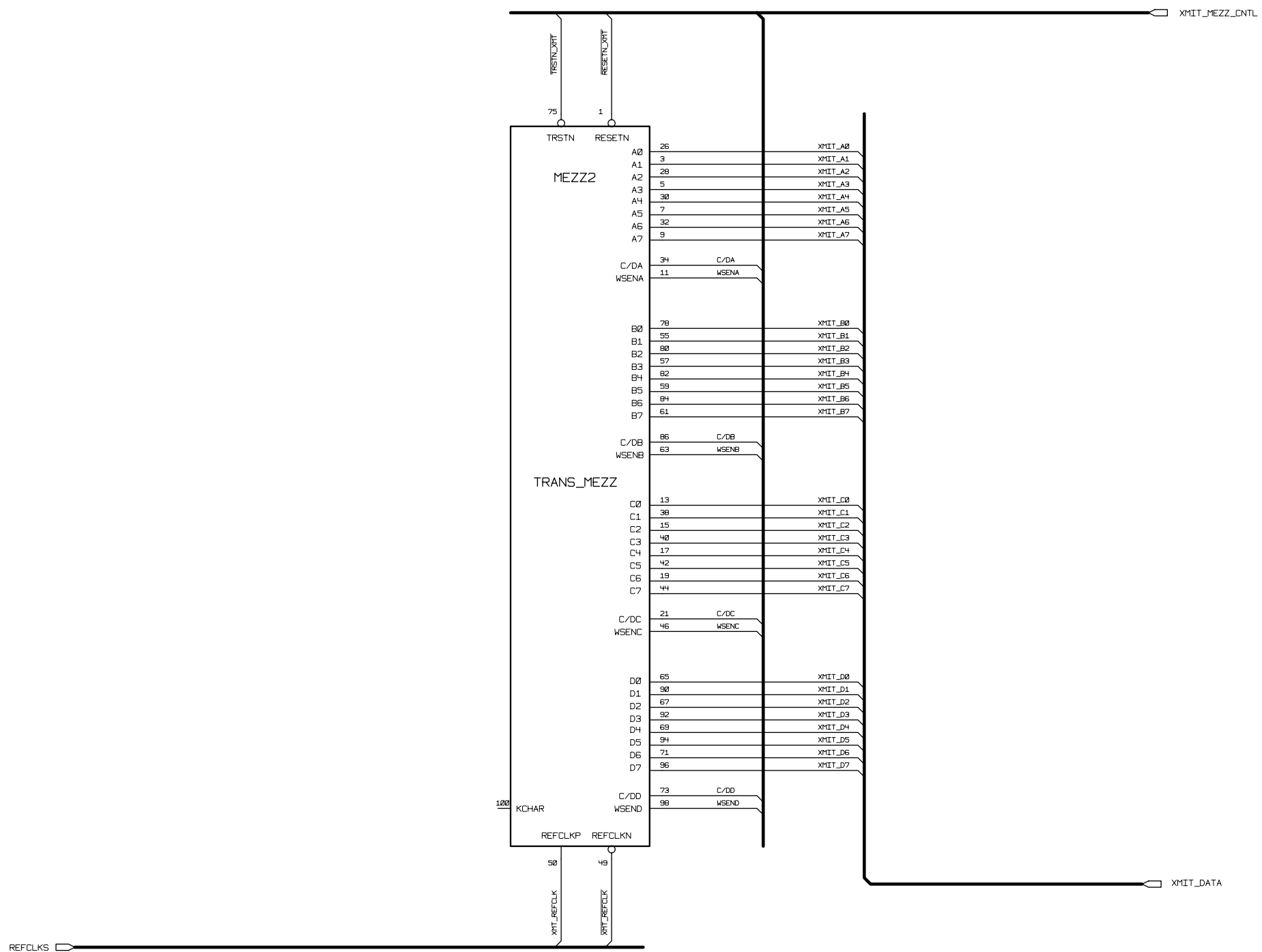
Changes	By	Date	Drawn	Project
			Date 6/28/02	CMS CAL TRIGGER PROCESSOR
			CHK'D	SERIAL TEST CARD
			Scale	BLOCK: RECV_MEM
				High Energy Physics
			D5050	University of Wisconsin
REVC				



Changes	By	Date	Drawn	Project
			Date 6/28/02	CMS CAL TRIGGER PROCESSOR
			CHK'D	SERIAL TEST CARD
			Scale	BLOCK: RECEIVE_PORT
				High Energy Physics
				University of Wisconsin
REVC				D5050



Changes	By	Date	Drawn	Project
			Date 6/28/02	CMS CAL TRIGGER PROCESSOR
			CHK'D	SERIAL TEST CARD
			Scale	BLOCK: XMIT_MEM
				High Energy Physics
REVC			D5050	University of Wisconsin



Changes	By	Date	Drawn	Project
			6/28/02	CMS CAL TRIGGER PROCESSOR
			CHK'D	SERIAL TEST CARD
			Scale	BLOCK: TRANSMIT_PORT
				High Energy Physics
REVC			D5050	University of Wisconsin